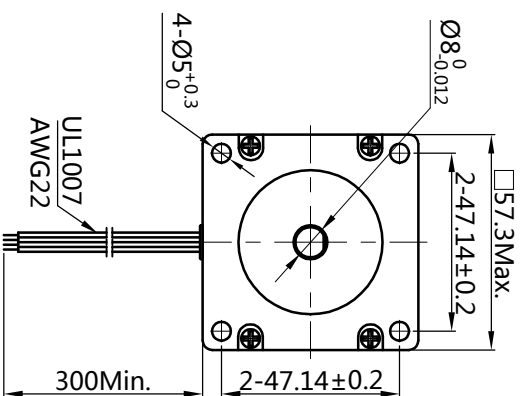
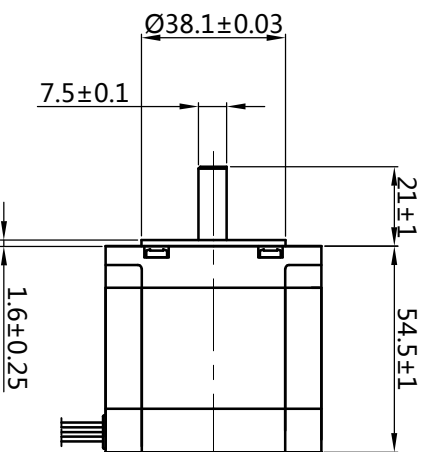
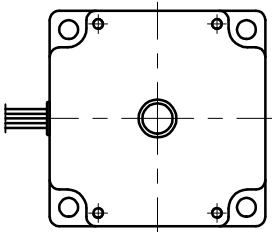
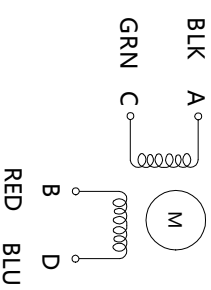


HYBRID STEPPING MOTOR SPECIFICATION

DIMENSIONS unit=mm

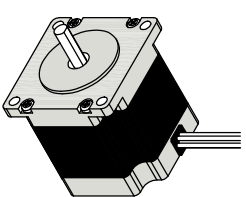


Wiring Diagram



Exciting Sequence vs. Direction of Rotation

STEP	A	B	C	D	CCW
1	+	+	-	-	 Clockwise view from mounting side
2	-	+	+	+	
3	-	-	+	+	
4	+	-	-	+	



Specifications		Comment	
1. Number of Phase	2		
2. Step Angle	1.8° deg.		
3. Rated Voltage	2.5 V		
4. Rated Current/Phase	2.8 A (Peak Value)		
5. Phase Resistance	0.9 Ω±0.1(20°C)		
6. Phase Inductance	2.5 mH±20%(1kHz-1V RMS)		
7. Holding Torque	12.6 Kg.cm		
8. Insulation Class	B (130°) ; 80K Max.		
9. Weight	0.7 kg		

REVISION RECORD		DATE
DESIGN	YY	2020.06.29
STANDARD		
TECHNOLOGY		
CHECK		
APPROVE		

TITLE	STEPPING MOTOR
DWG.NO.	JK57HSS56-2804-13
MATERIAL	
REV.	A

ECN SIGN	SIZE	A4
SCALE	1:2	SHEET
		1 of 1