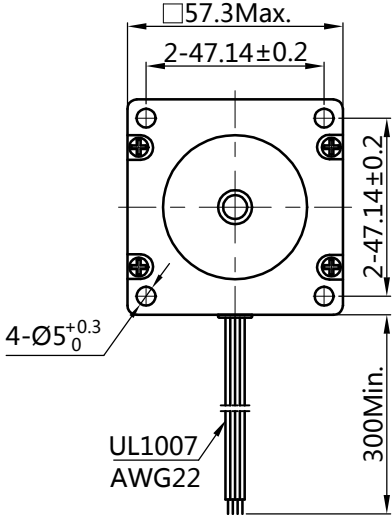
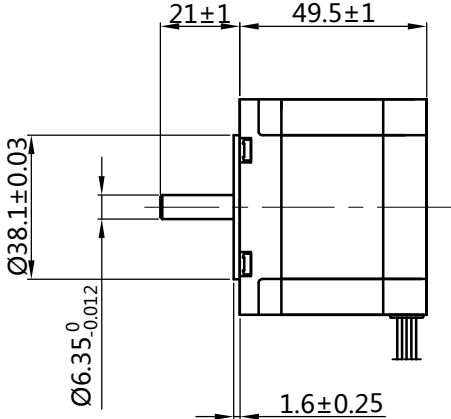
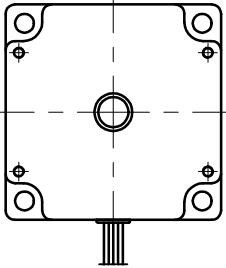
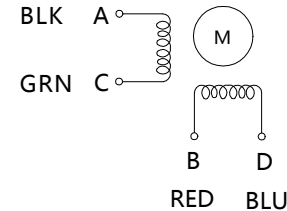


# HYBRID STEPPING MOTOR SPECIFICATION

**DIMENSIONS unit=mm**



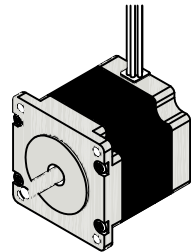
**Wiring Diagram**



**Exciting Sequence vs. Direction of Rotation**

STEP	A	B	C	D	
1	+	+	-	-	
2	-	+	+	-	
3	-	-	+	+	
4	+	-	-	+	

**Clockwise view from mounting side**



1, Number of Phase	2					
2, Step Angle	1.8° deg.					
3, Rated Voltage	2.3 V					
4, Rated Current/Phase	2.8 A ( Peak Value )					
5, Phase Resistance	0.83 Ω±0.1(20°C)					
6, Phase Inductance	2.2 mH±20%(1kHz 1V RMS)		REV.	REVISION RECORD		DATE
7, Holding Torque	10.1 Kg.cm		DESIGN	YY	2020.06.29	www.jkongmotor.com  Specification
8, Insulation Class	B ( 130° ); 80K Max.		STANDARD			
9, Weight	0.59 kg		TECHNOLOGY			
<b>Specifications</b>		CHECK				
		APPROVE				

TITLE	STEPPING MOTOR			
DWG.NO.	JK57HS51-2804			
MATERIAL	ECN SIGN	✳	SIZE	A4
REV.	A	SCALE	1:2	SHEET 1 of 1