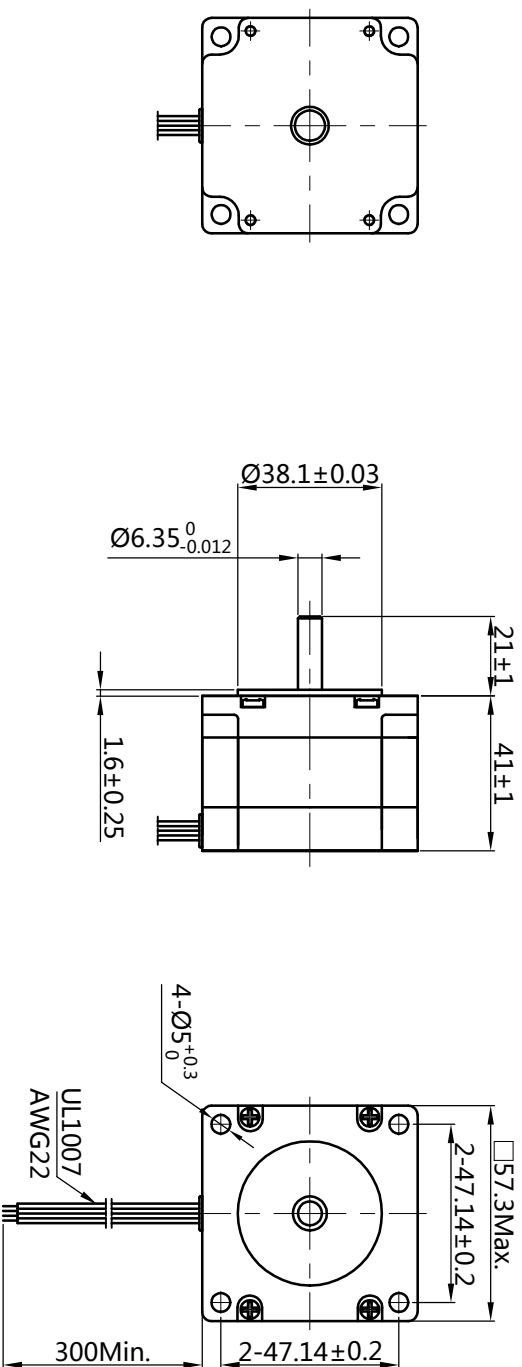
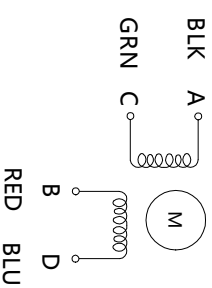


# HYBRID STEPPING MOTOR SPECIFICATION

DIMENSIONS unit=mm



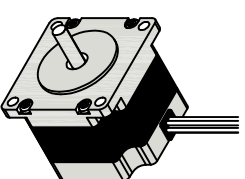
## Wiring Diagram



## Exciting Sequence vs. Direction of Rotation

STEP	A	B	C	D	
1	+	+	-	-	CW ↓ CCW ↑
2	-	+	+	+	
3	-	-	+	+	
4	+	-	-	+	

Clockwise view from mounting side



Specifications		Comment	
1. Number of Phase	2		
2. Step Angle	0.9° deg.		
3. Rated Voltage	1.96 V		
4. Rated Current/Phase	2.8 A ( Peak Value )		
5. Phase Resistance	0.7 Ω±0.1(20°C)		
6. Phase Inductance	2.2 mH±20%(1kHz 1V RMS)		
7. Holding Torque	5 Kg.cm		
8. Insulation Class	B ( 130° ) ; 80K Max.		
9. Weight	0.45 kg		

REVISION RECORD		Specification	
REV.	DATE		
DESIGN	YY 2020.06.28	www.jkongmotor.com	
STANDARD			
TECHNOLOGY			
CHECK			
APPROVE			

TITLE	STEPPING MOTOR
-------	----------------

DWG.NO. JK57HM41-2804

MATERIAL	REV.	A	SCALE	1:2	SHEET	1 of 1