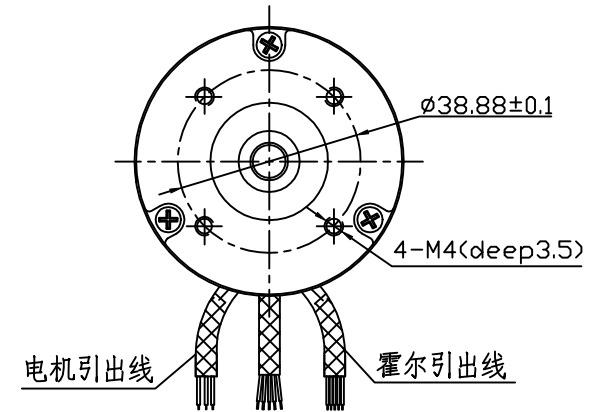
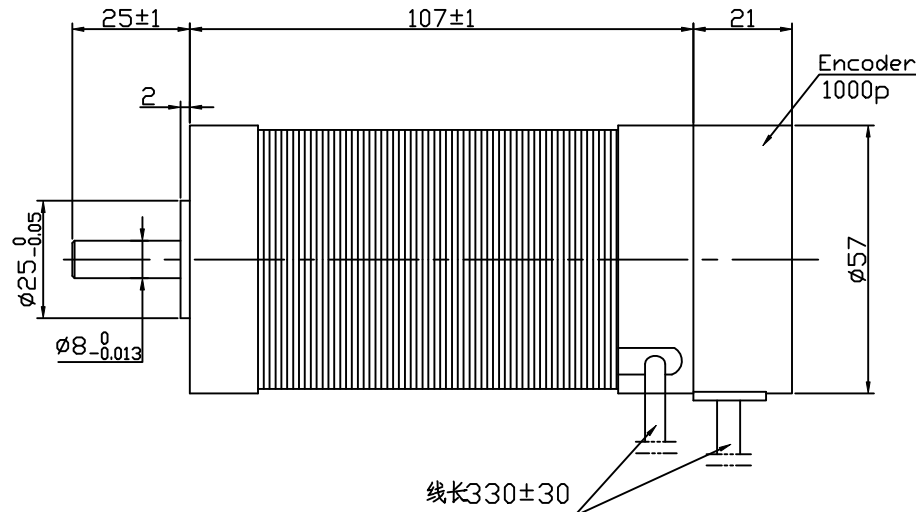


Dimension:
Unit=mm



ROTATION: CCW VIEWED FROM OUTPUT SHAFT

MANUFACTURER MODEL	JK57BLS04-X022ED
NUMBER OF POLES	4
PHASE TO PHASE RESISTANCE	0.42 OHMS
NOMINAL VOLTAGE	36 VDC
NO LOAD SPEED	4800±10% RPM
NO LOAD CURRENT	0.9 Amps Max.
RATED TORQUE	0.48 N-m
RATED SPEED	4000±10% RPM
OUTPUT POWER	200 W
BACK EMF CONSTANT	7.5 V/kRPM
TORQUE CONSTANT	0.072 N-m/A
INSULATION CLASS	B

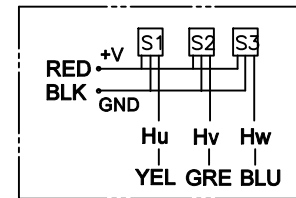
Encoder Wiring Diagram:

EA+	Encoder A phase output+	GREEN 绿
EB+	Encoder B phase output+	BLUE 蓝
EZ+	Encoder Z phase output+	YELLOW 黄
Vcc	Encoder Voltage(+5V)	RED 红
EGND	Encoder Grand(0V)	BLACK 黑

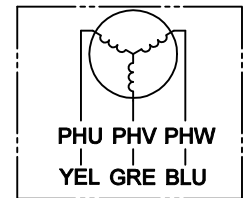
ELECTRICAL CONNECTION TABLE

+5V	RED 红	2517-26# 五芯屏蔽线
HALL U	YEL 黄	
HALL V	GRE 绿	
HALL W	BLU 蓝	
GND	BLK 黑	3*0.75 三芯护套线
PHASE U	YEL 黄	
PHASE V	GRE 绿	
PHASE W	BLU 蓝	

Connection diagram:



Hall sensor cable
Note: hall sensor power supply
voltage +5 to +20VDC



Wiring cable

					Title:		常州精控电机电器有限公司	
					Specification			
REV.	QTY.	No.	SIG.	DATE	CLS.MAK	WEIGHT	SCALE	JK57BLS04-X022ED
DESIGN	张宇	21.10.14	STD.					
CHECK								www.jkongmotor.com
PROC.			APPR.		PAGE:	1/1		