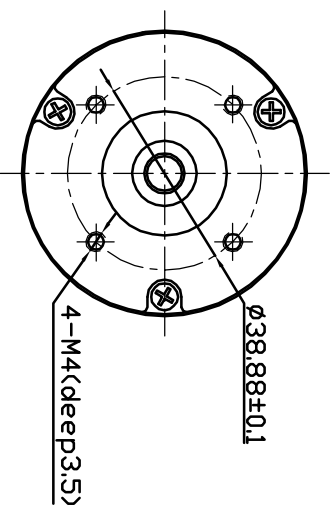
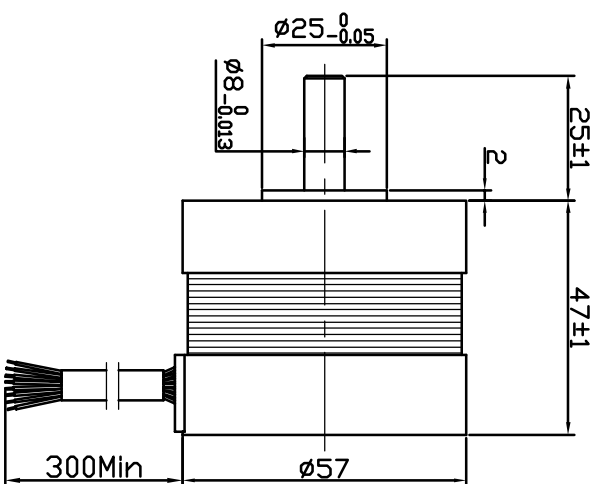
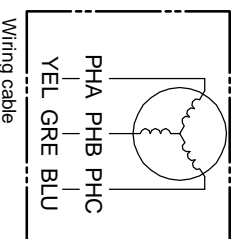
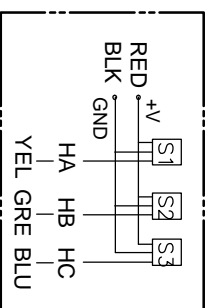


Dimension:
Unit=mm



Connection diagram:



Hall sensor cable
Note: hall sensor power supply
voltage +5 to +20VDC

ROTATION: CCW SEE FROM LEAD END

MANUFACTURER MODEL	JK57BL S01
NUMBER OF POLES	4
PHASE TO PHASE RESISTANCE	2.2 OHMS
NOMINAL VOLTAGE	36 VDC
NO LOAD SPEED	4800±10% RPM
NO LOAD CURRENT	0.35 Amps Max.
RATED TORQUE	0.11 N-m
RATED SPEED	4000±10% RPM
OUTPUT POWER	46 W
BACK EMF CONSTANT	7.5 V/KRPM
TORQUE CONSTANT	0.072 N-m/A
INSULATION CLASS	B

ELECTRICAL CONNECTION TABLE

+	+	+	+
+5V	RED	红	UL1007
HALL U	YEL	黄	26AWG
HALL V	GRE	绿	
HALL W	BLU	蓝	
GND	GND	黑	
PHASE U	YEL	黄	
PHASE V	GRE	绿	
PHASE W	BLU	蓝	

DESIGN	REV.	QTY.	No.	STD.	SIG.	DATE
CHECK						
PROC.						

Title:		常州精控电机电器有限公司	
Specification		JK57BL S01	
C/S.MAK	WEIGHT	SCALE	
PAGE: 1/1	www.jkongmotor.com		