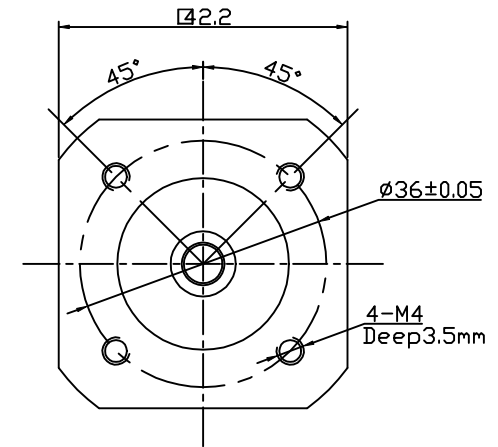
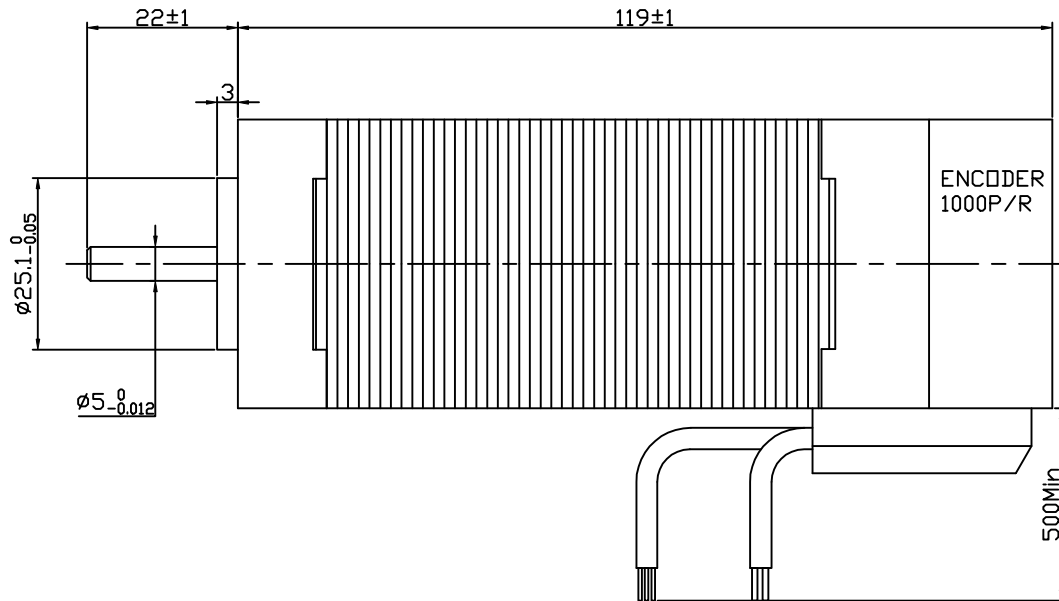


Dimension:  
Unit=mm



ROTATION: CW VIEWED FROM OUTPUT SHAFT

MANUFACTUER MODEL	JK42BLS04-X028ED
NUMBER OF POLES	8
PHASE TO PHASERESISTANCE	0.36 OHMS
NOMINAL VOLTAGE	24 VDC
NO LOAD SPEED	6800±10% RPM
NO LOAD CURRENT	0.75 Amps Max.
RATED TORQUE	0.26 N-m
RATED SPEED	4000±10% RPM
OUTPUT POWER	110 W
BACK EMF CONSTANT	4.1 V/kRPM
TORQUE CONSTANT	0.04 N-m/A
INSULATION CLASS	B

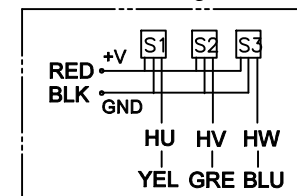
Encoder Wiring Diagram:

Vcc	Encoder Voltage(+5V)	RED 红
EGND	Encoder Grand(0V)	BLK 黑
EA	Encoder A phase input	GREEN 绿
EB	Encoder B phase input	BLUE 蓝
EZ	Encoder Z phase input	YELLOW 黄

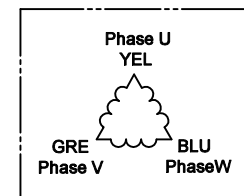
ELECTRICAL CONNECTION TABLE

+5V	RED 红	UL1007 26 AWG
HALL U	YEL 黄	
HALL V	GRE 绿	
HALL W	BLU 蓝	
GND	GND 黑	UL1007 20 AWG
PHASE U	YEL 黄	
PHASE V	GRE 绿	
PHASE W	BLU 蓝	

Connection diagram:



Hall sensor cable  
Note: hall sensor power supply  
voltage +5 to +20VDC



Wiring cable

REV. QTY. No. SIG. DATE				Title:		常州精控电机电器有限公司
				Specification		
DESIGN	张宇	21.10.14	STD.	CLS.MAK	WEIGHT	SCALE
CHECK						
PROC.			APPR.	PAGE: 1/1		JK42BLS04-X028ED
						www.jkongmotor.com