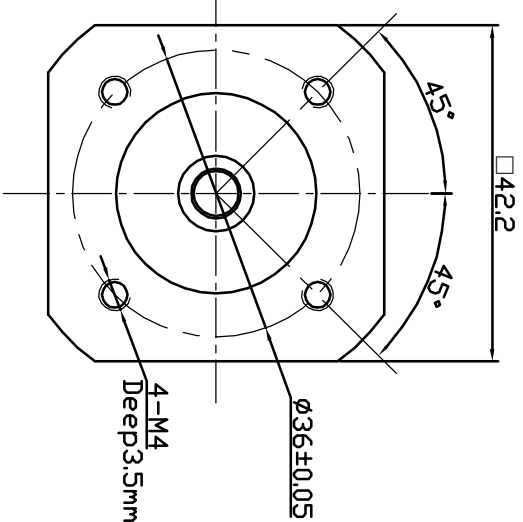
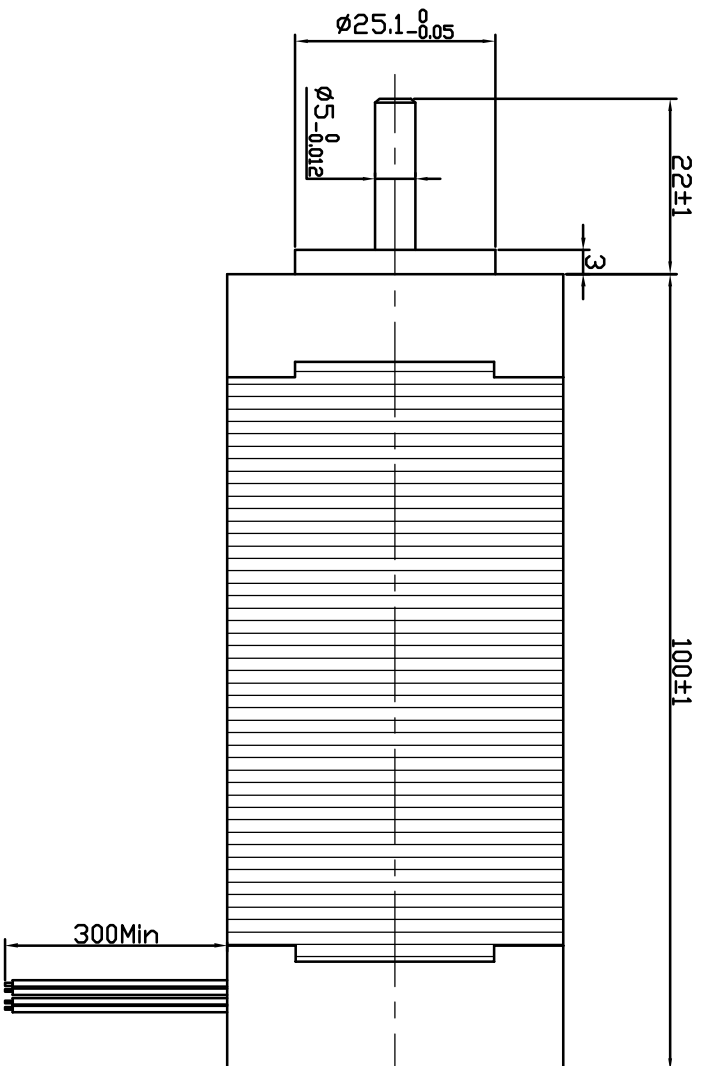
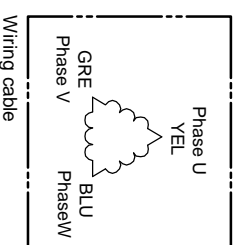
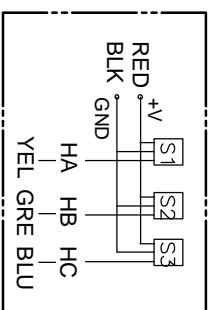


Dimension:  
Unit=mm



Connection diagram:



Hall sensor cable  
Note: hall sensor power supply  
voltage +5 to +20VDC

ROTATION: CW SEE FROM LEAD END	
MANUFACTURER MODEL	JK42BLS04
NUMBER OF POLES	8
PHASE TO PHASERESISTANCE	0.36 OHMS
NOMINAL VOLTAGE	24 VDC
NO LOAD SPEED	5800±10% RPM
NO LOAD CURRENT	0.75 Amps Max.
RATED TORQUE	0.25 N-m
RATED SPEED	4000±10% RPM
OUTPUT POWER	105 W
BACK EMF CONSTANT	4.1 V/KRPM
TORQUE CONSTANT	0.04 N-m/A
INSULATION CLASS	B

ELECTRICAL CONNECTION TABLE		
+5V	RED	红
HALL U	YEL	黄
HALL V	GRE	绿
HALL W	BLU	蓝
GND	GND	黑
PHASE U	YEL	黄
PHASE V	GRE	绿
PHASE W	BLU	蓝

REV.	QTY.	No.	SIG.	DATE
DESIGN			STD.	
CHECK				
PROC.			APPR.	

Title:		常州精控电机电器有限公司	
Specification		JK42BLS04	
C/S.MAK	WEIGHT	SCALE	
PAGE:	1/1		
www.jkongmotor.com			