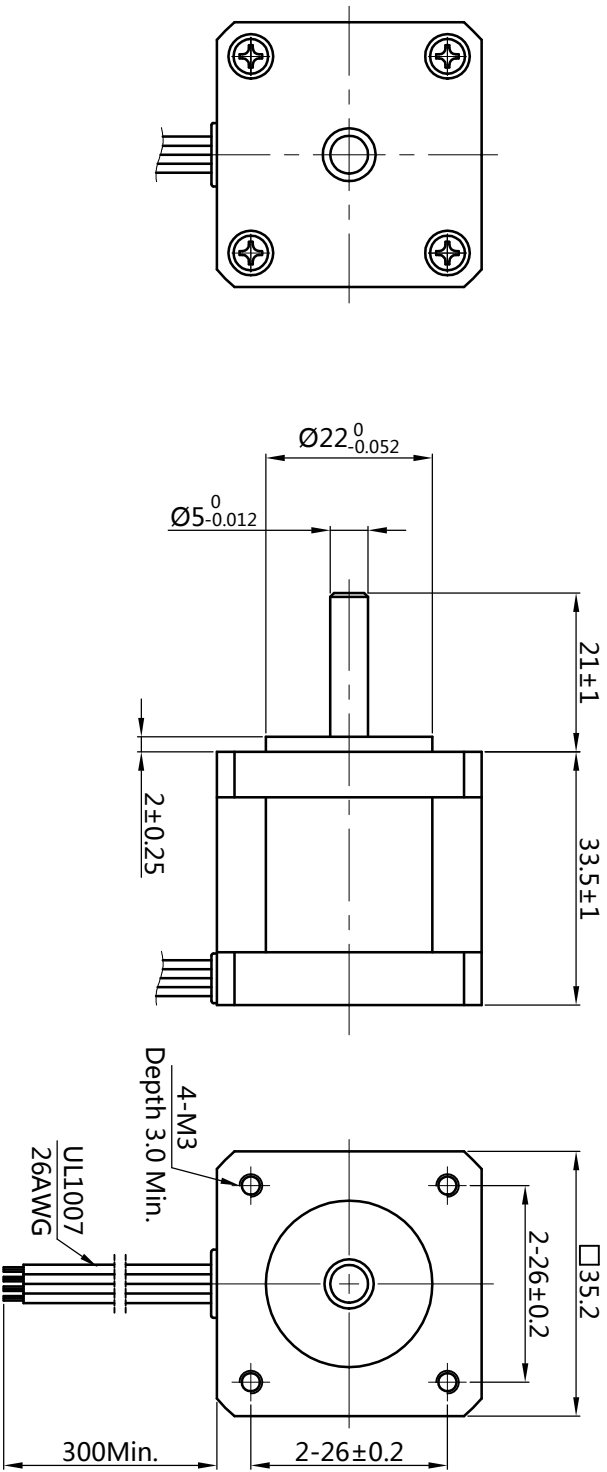
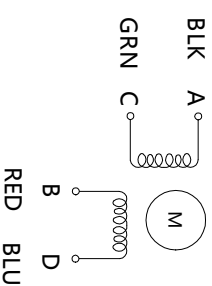


# HYBRID STEPPING MOTOR SPECIFICATION

DIMENSIONS unit=mm



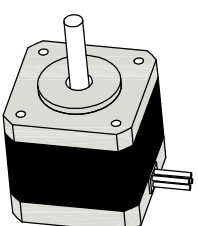
## Wiring Diagram



## Exciting Sequence vs. Direction of Rotation

STEP	A	B	C	D	Direction
1	+	+	-	-	Clockwise view from mounting side
2	-	-	+	+	
3	-	+	+	-	
4	+	+	-	+	

Clockwise view from mounting side



Specifications		Comment	
1. Number of Phase	2		
2. Step Angle	1.8° deg.		
3. Rated Voltage	2.7 V		
4. Rated Current/Phase	1 A ( Peak Value )		
5. Phase Resistance	2.7 $\Omega \pm 10\%$ (20°C)		
6. Phase Inductance	4.3 mH $\pm 20\%$ (1kHz 1V RMS)		
7. Holding Torque	1400 g·cm		
8. Insulation Class	B ( 130° ) ; 80K Max.		
9. Weight	0.18 kg		

REVISION RECORD		Specification	
REV.	DATE	Specification	
DESIGN	YY 2020.06.28	www.jkongmotor.com	
STANDARD			
TECHNOLOGY			
CHECK			
APPROVE			

TITLE STEPPING MOTOR

DWG.NO. JK35HSS4-1004

MATERIAL A ECN SIGN \* SIZE A4  
REV. A SCALE 1:1 SHEET 1 of 1