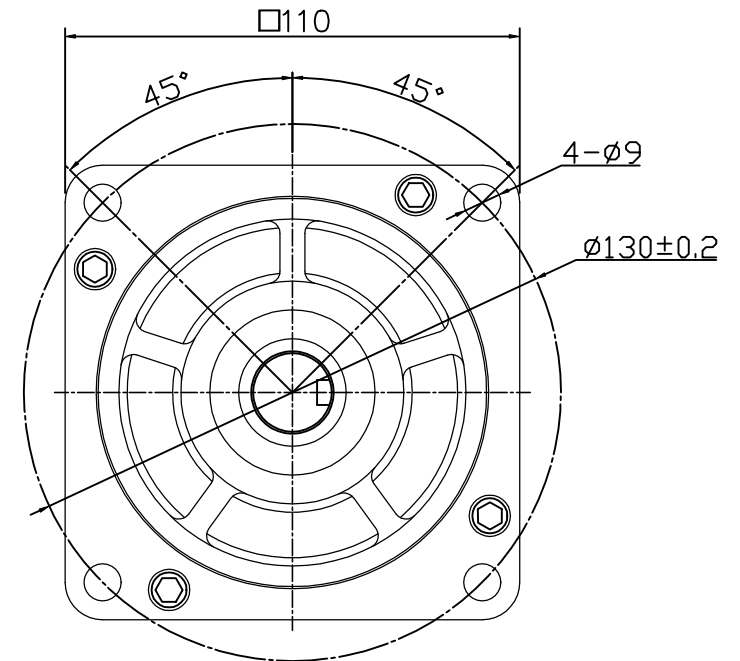
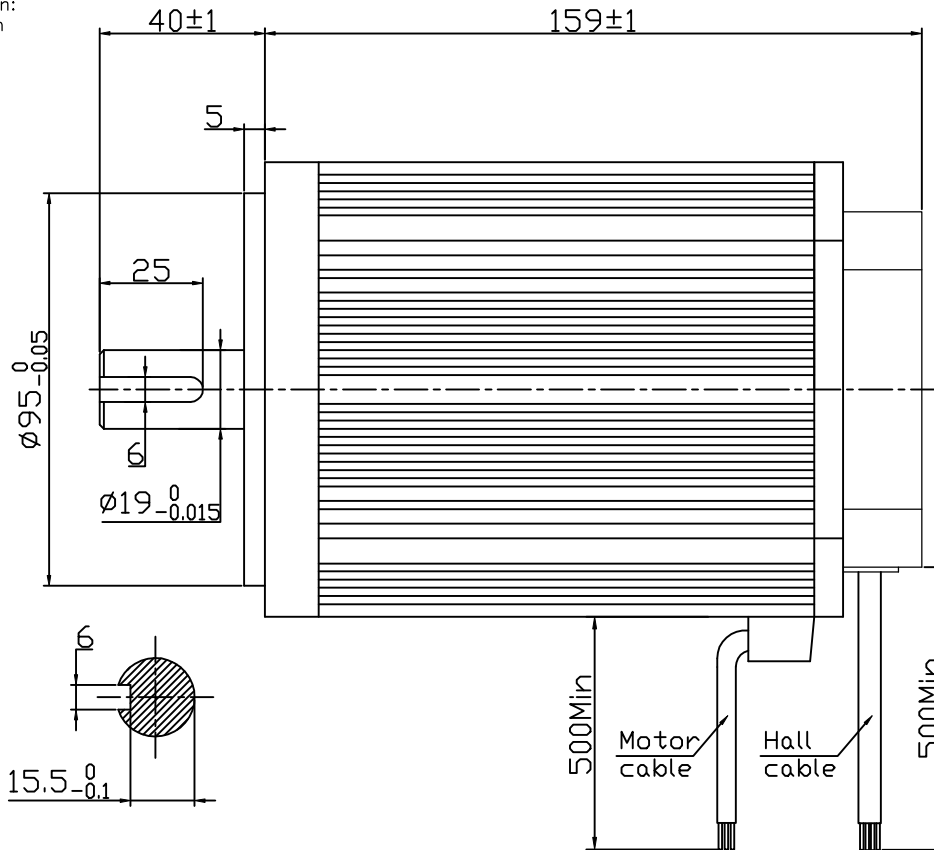
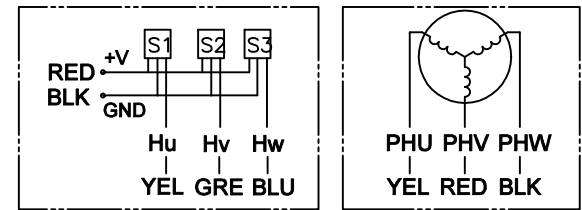


Dimension:
Unit=mm



Connection diagram:



Hall sensor cable
Note: hall sensor power supply
voltage +5 to +20VDC

Wiring cable

CW COMMUTATION: VIEWED FROM OUTPUT SHAFT

| | |
|---------------------------|---------------|
| MANUFACTURER MODEL | JK110BLS75 |
| NUMBER OF POLES | 8 |
| PHASE TO PHASE RESISTANCE | 1.7 OHMS |
| NOMINAL VOLTAGE | 310 VDC |
| NO LOAD SPEED | 3400±10% RPM |
| NO LOAD CURRENT | 0.6 Amps Max. |
| RATED TORQUE | 3.3 N-m |
| RATED SPEED | 3000±10% RPM |
| RATED CURRENT | 3.7 Amps |
| OUTPUT POWER | 1.03 KW |
| BACK EMF CONSTANT | 91.1 V/KRPM |
| TORQUE CONSTANT | 0.87 N-m/A |
| INSULATION CLASS | H |

ELECTRICAL CONNECTION TABLE

| | | | |
|---------|-----|---|----------------------------------|
| +5V | RED | 红 | UL2517 26 AWG |
| HALL U | YEL | 黄 | |
| HALL V | GRE | 绿 | H05SS-F 3*1.5 mm ² |
| HALL W | BLU | 蓝 | |
| GND | GND | 黑 | |
| PHASE U | YEL | 黄 | |
| PHASE V | RED | 红 | |
| PHASE W | BLK | 黑 | |

| | | | | |
|--------|------|----------|-------|------|
| REV. | QTY. | No. | SIG. | DATE |
| DESIGN | WH | 21.10.12 | STD. | |
| CHECK | | | | |
| PROC. | | | APPR. | |

| | | | | | |
|---------------|--------|-------|--------------------|--|--|
| Title: | | | 常州精控电机电器有限公司 | | |
| Specification | | | JK110BLS75 | | |
| CLS.MAK | WEIGHT | SCALE | | | |
| PAGE: 1/1 | | | www.jkongmotor.com | | |