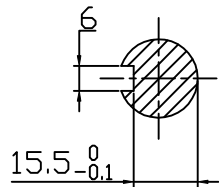
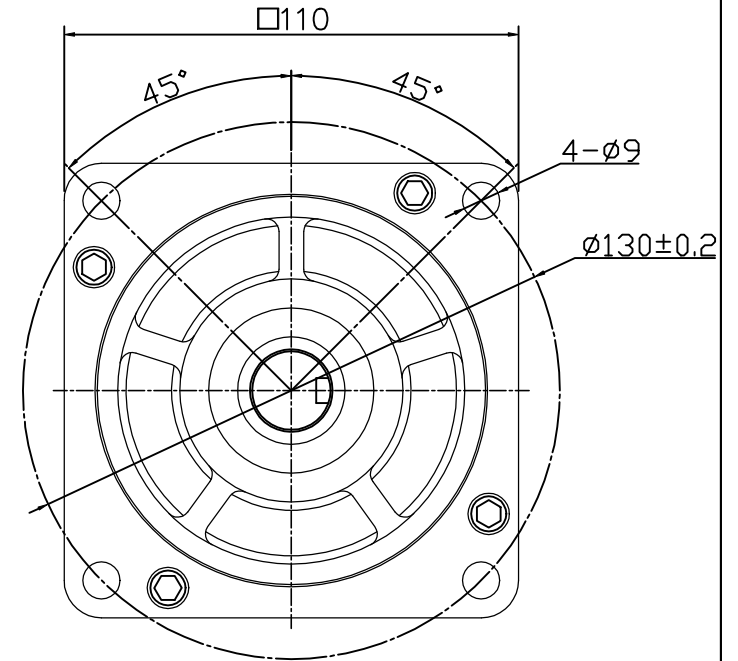
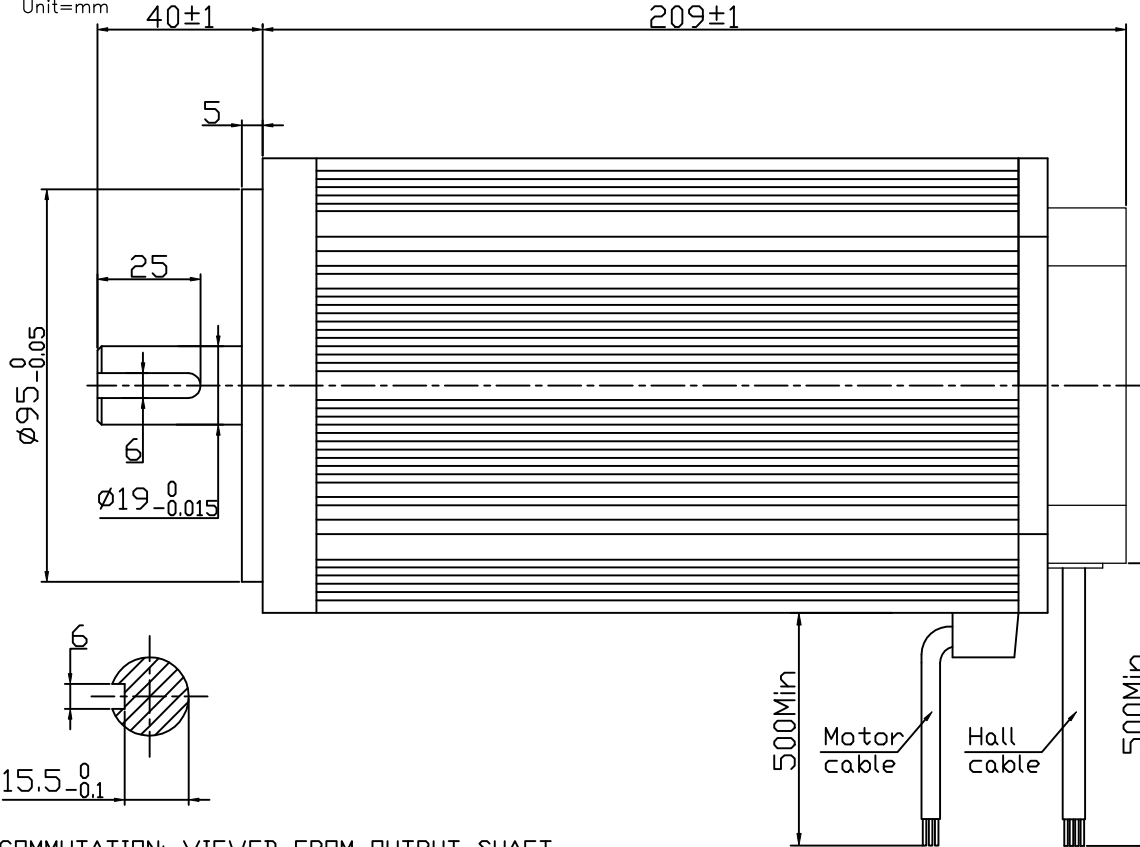


Dimension:
Unit=mm

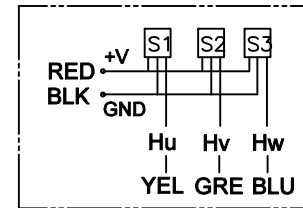


CW COMMUTATION: VIEWED FROM OUTPUT SHAFT

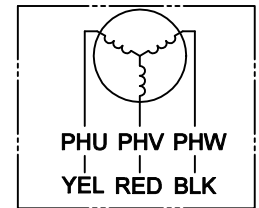
MANUFACTURER MODEL	JK110BLS125
NUMBER OF POLES	8
PHASE TO PHASE RESISTANCE	0.8 OHMS
NOMINAL VOLTAGE	310 VDC
NO LOAD SPEED	3500±10% RPM
NO LOAD CURRENT	1 Amps Max.
RATED TORQUE	6.6 N-m
RATED SPEED	3000±10% RPM
RATED CURRENT	7.7 Amps
OUTPUT POWER	2.07 KW
BACK EMF CONSTANT	88.6 V/KRPM
TORQUE CONSTANT	0.845 N-m/A
INSULATION CLASS	H

ELECTRICAL CONNECTION TABLE			
+5V	RED	红	UL2517 26 AWG
HALL U	YEL	黄	
HALL V	GRE	绿	H05SS-F 3*1.5 mm ²
HALL W	BLU	蓝	
GND	GND	黑	
PHASE U	YEL	黄	
PHASE V	RED	红	
PHASE W	BLK	黑	

Connection diagram:



Hall sensor cable
Note: hall sensor power supply
voltage +5 to +20VDC



Wiring cable

REV. QTY.				No.		SIG.		DATE		Title:		常州精控电机电器有限公司
DESIGN				WH		21.10.12		STD.		Specification		
CHECK										CLS.MAK		JK110BLS125
PROC.								APPR.		WEIGHT SCALE		
										PAGE: 1/1		www.jkongmotor.com